

# Clarke®



## INSTANT GARAGE

MODEL NO: CIG81015

PART NO: 3503570

## ASSEMBLY INSTRUCTIONS

ORIGINAL INSTRUCTIONS

GC03/19 ISS 4

---

## INTRODUCTION

---

Thank you for purchasing this CLARKE Instant Garage. When erected, the CIG81015 garage will be of the dimensions shown on page 4. Weight is 52kg packed (50 kg unpacked).

Before attempting to use this product, please read this manual thoroughly and follow the instructions carefully. In doing so you will ensure the safety of yourself and that of others around you, and you can look forward to your purchase giving you long and satisfactory service.

---

## SAFETY WARNINGS

---



**WARNING: READ THESE SAFETY INSTRUCTIONS TO REDUCE THE RISK OF INJURY. RETAIN THESE INSTRUCTIONS FOR FUTURE REFERENCE.**

---

DO NOT use this product in environments for which it is not Intended (i.e. extreme cold, high winds, extreme heat, heavy rainfall, etc).

DO NOT use open flames or cooking or heating devices inside or in close proximity to the garage including all types of stoves, gas heaters, gas lanterns, torches, fly killers, etc. The fabric will burn if left in continuous contact with a naked flame.

DO NOT store flammable liquids (petrol, kerosene, propane, etc.) in the garage or operate gas powered vehicles/equipment in or around the garage.

---

## GUARANTEE

---

This product is guaranteed against faulty manufacture for a period of 12 months from the date of purchase. Please keep your receipt which will be required as proof of purchase.

This guarantee is invalid if the product is found to have been abused or tampered with in any way, or not used for the purpose for which it was intended.

Faulty goods should be returned to their place of purchase, no product can be returned to us without prior permission.

This guarantee does not effect your statutory rights.

---

# POSITIONING AND INSTALLATION OF THE GARAGE

---

## POSITIONING THE GARAGE

This garage is a temporary structure and is not recommended as a permanent building. It is designed to offer protection from sun, rain, light snow, tree sap and bird droppings etc. It is not designed to shelter equipment from excessively high winds or heavy snow.

Choose your garage location carefully. Check for overhead power lines, tree branches, etc. DO NOT install near roofs or other structures that may shed snow, ice or excessive run-off onto your garage.

## SITING THE GARAGE

Erect your garage on level ground. The garage should be erected over a firm, level area but with enough space near each corner for the ground anchors and tie-down straps to be used as intended.

Choose a dry location where dampness arising from ground water in the environment will not undermine the protection offer by the garage.

Ideally, a masonry floor such as block paving or concrete is ideal, but if this is not being supplied, a timber or shuttering plywood floor, protected by a suitable groundsheet should be used. This will help to create a dry storage environment by insulating the garage storage space from ground moisture.

Proper anchoring and keeping the cover tight and free of snow and debris is the responsibility of the user. Damage caused by improper anchoring is not covered under warranty.

---

## CARE OF THE GARAGE STRUCTURE

---

This garage is NOT designed to support heavy snow. Snow or ice accumulation may cause your garage to collapse. To avoid overload, brush snow and ice off the roof top with a broom or mop to prevent collapse with the resultant damage to property or personal injury.

NEVER clear the roof of snow or debris from inside the garage.

DO NOT use hard-edged tools or instruments, such as rakes or shovels to remove snow. These can cause punctures to the cover.

DO NOT use bleach, alkaline or harsh detergents for cleaning. Doing so will damage the material. Soap and warm water are recommended.

In order to reduce risk of burning and avoid damage, DO NOT- cook, smoke, refuel or use any open flame devices in or around the garage.

---

## USING THE STORAGE SPACE

---

Never run the engine of any vehicle or machine inside a closed garage. Ensure that there is adequate ventilation for engines or for any work with paints, cleaners, etc. by opening the door panel and keeping it raised as shown in diagram M on page 13.

### CONDENSATION

Take steps to avoid the buildup of condensation inside the garage. Moisture from the breath and body heat of personnel will be seen as condensation and attracted to the top cover of the garage as the heat rises.

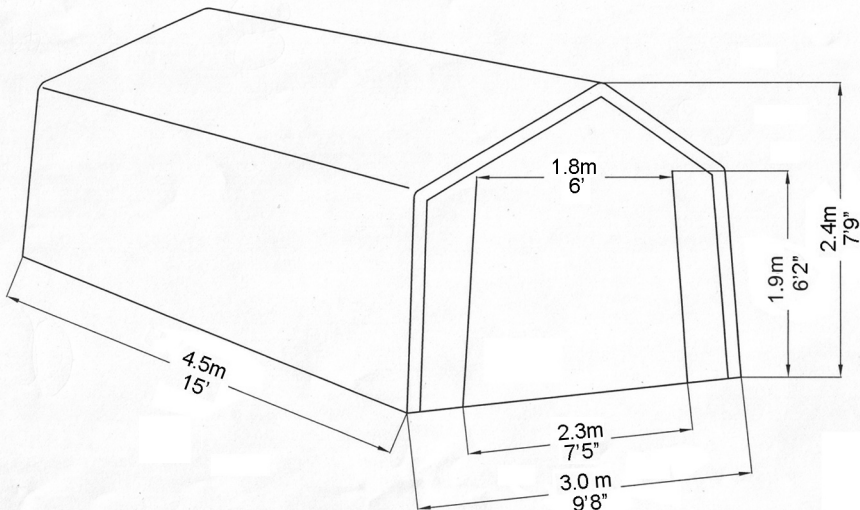
A supply of fresh air through the doorway will at least partly remove this issue.

For long term storage of moisture sensitive belongings in all weathers, the use of a dehumidifier may be advantageous, such as those in the Clarke catalogue. A suitable extension lead to a locally available power supply will be required. This will be much less of an issue during the summer months.

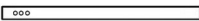
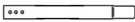

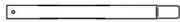
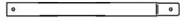


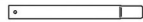
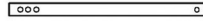





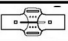
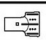
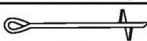
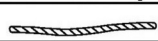


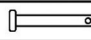

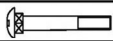
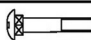






If storing a vehicle in your garage over the winter months you may wish to consider a secondary lightweight cover over your vehicle.

### CONSTRUCTION

Have an overview of all parts before attempting installation and make sure all components are supplied.



# COMPONENT PARTS LIST

Part	Description	Image	Qty
1	Upright tube with dimples		8
2	Corner extension tube		4
3	Rafter tube		8
4	Centre upright tube		4
5	Cross rail		9
5A	Cross rail with dimples		9
6	Bent Corner Leg		4
7	Lower rail - male end		6
8	Lower rail with holes		6
9	3-Way Side Connector- left		2
10	3-Way Side Connector- right		2
11	4-Way Connector		4
12	3-Way Apex Connector		2
13	4-Way Apex Connector		2
14	4-way Cross Rail Clamp		8
15	3-way Cross Rail Clamp		8
16	15" Anchor		4
17	Cable - 1'lengths		4
18	Cable Clamp		4
19	Foot Plate		4
20	Pin		4
21	Split Pin		4
22	M6 x 45 Bolt		8
23	M6 x 40 Bolt		12
24	M6 Washer		20
25	M6 Locknut		20
26	Roof Tarpaulin (main cover)		1
27	Door Panel with zipper		1
28	Back Cover Panel		1
29	Ratchet		8

# ASSEMBLY

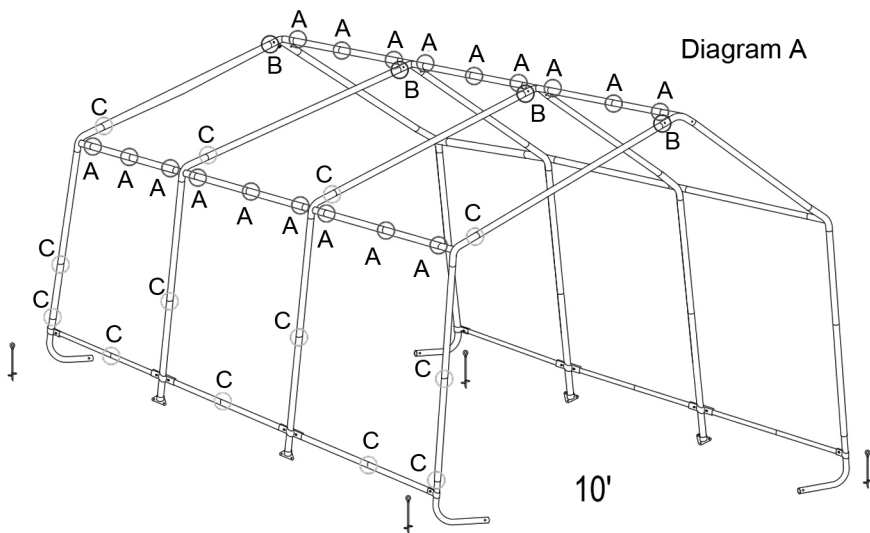


**WARNING: DO NOT PLACE THE PRODUCT UNDER TREES FROM WHICH HARD FRUIT SUCH AS APPLES, WALNUTS OR HEAVY PINE CONES, ETC., MAY FALL. KEEP CHILDREN AWAY DURING ASSEMBLY. THIS PRODUCT CONTAINS SMALL PARTS WHICH CAN BE SWALLOWED BY CHILDREN. DO NOT ATTEMPT TO ASSEMBLE THE PRODUCT IF ANY PARTS ARE MISSING.**

**WARNING: AT LEAST 3 PEOPLE ARE NEEDED TO COMPLETE THE ASSEMBLY AS SOME OF THE STEPS REQUIRE HEAVY LIFTING.**

**WARNING: DO NOT LEAVE THE GARAGE UNATTENDED DURING ASSEMBLY IN CASE PERSONAL INJURY OR DAMAGE MAY OCCUR.**

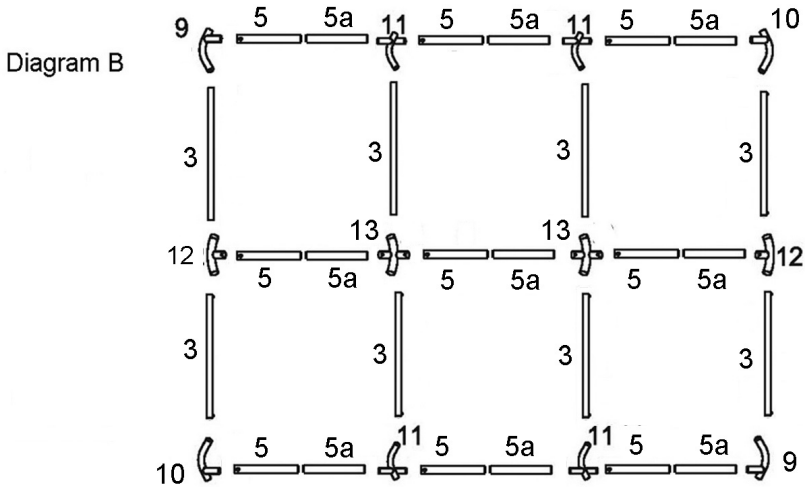
1. Place all parts in a clear area and arrange them on the ground. Check for completeness and for any transport damage.
2. Remove all packaging materials and place them back in the box. Do not dispose of the packaging materials until assembly is complete.



3. The diagram above shows which type of connection is required for each part of the frame assembly.
  - Joint A is a spring button connection
  - Joint B is connected with bolt and nut
  - Joint C is a simple push-fit

## STEP 1: PREPARING THE ROOF PARTS

Select a suitable location for the garage. The layout of the roof parts is shown in diagram B.

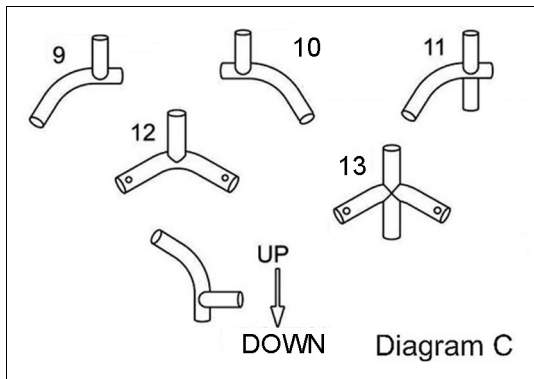


Note the differences between the 5 connectors shown in Diagram C. (connectors are also individually numbered).

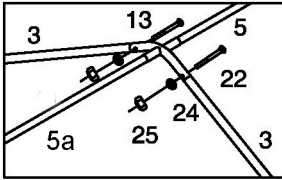
Note: When installed, the welded socket for the cross rail must be below the bend.

Parts #9, #10, #11 are side shoulder connectors.

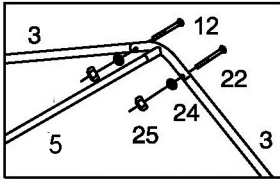
Part #12 & #13 are top apex connectors.



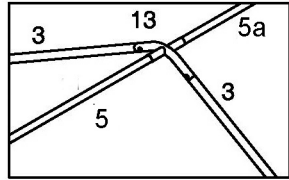
## STEP 2: ASSEMBLING THE ROOF



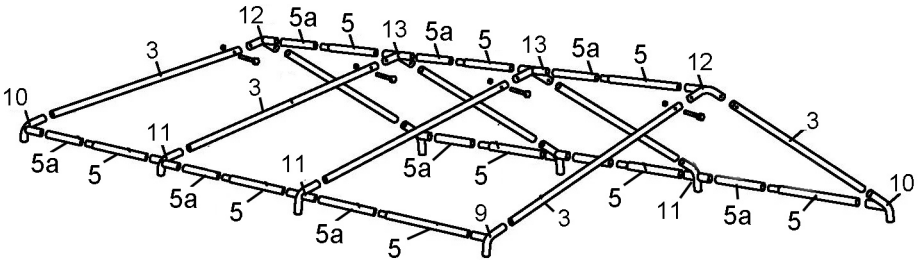
D1



D2



D3



1. Assemble the roof frame by connecting the parts layout above.

**NOTE:** The hole end on Part #3 needs to be connected to Parts #12 and #13 (See Diagram D1& D2) by the fittings #22, #24 and #25.

There is a spring button on both ends of Part #5 & 5a. Make sure the button pops up when connecting with Parts #9,#10,#11,#12 & Part #13, (See Diagram D3)

Use a rubber or wooden mallet if required, to ensure all tubes are fully inserted.

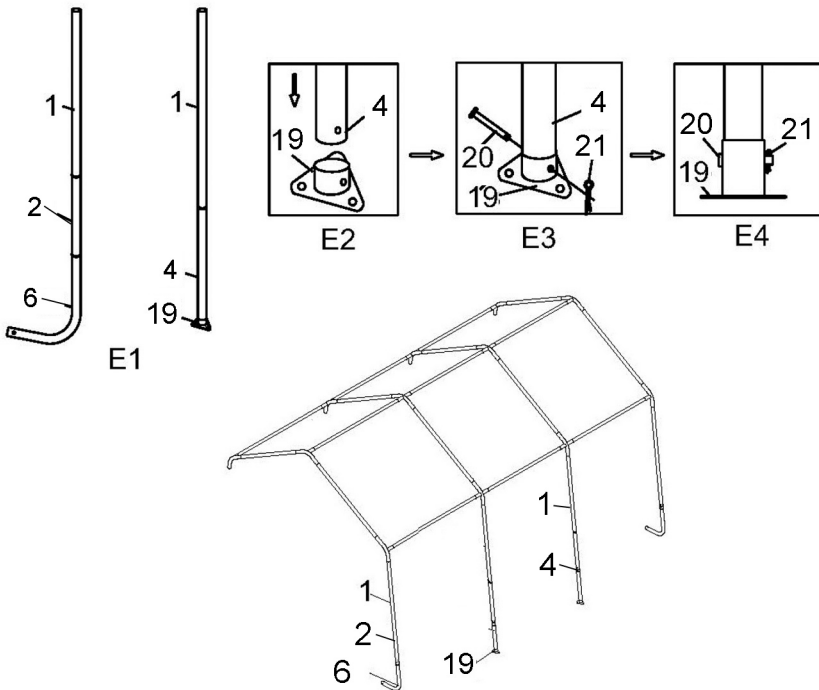


### STEP 3: ATTACHING THE LEGS

There are 8 legs for the whole garage.

1. Follow Drawing E1. Connect the tubes #1, #2 & #6 to create the 4 corner legs.
2. Connect tubes #1 & #4 to create the 4 center legs.

Diagram E

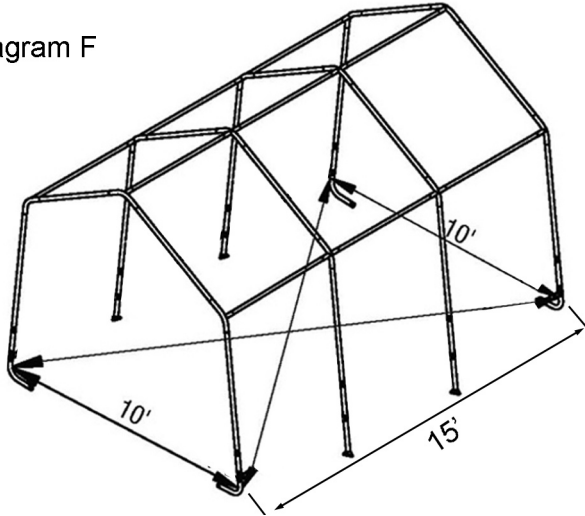


3. Insert the Center Legs into the Foot Plate (#19), Align the holes in the tube and foot plate, push the Pin Bolt (#20) through all the holes, insert the cotter pin (#21) and split the tongues of the split pin with a flat screwdriver to secure this connection. (See Diagrams E2, E3 & E4.
4. Repeat to assemble the other side as shown in diagram E.

## STEP 4: SQUARE AND ANCHOR THE FRAMES

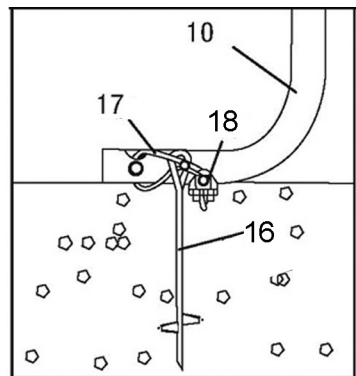
1. Check the measurements of the frame are 10' at both the front and back corners, as well as across the center.

Diagram F



2. Take a diagonal measurement as shown in Diagram F. When these two measures are equal the frame is square. Adjust the frame until they are equal to within 1".
3. Once equal, check the width measurement again to ensure all widths are equal at 10'.
4. Next, install the anchors (Parts #16, #17 & #18) at the 4 corner bent legs by screwing the removable anchor (#16) into the ground on the inside of the shelter.
5. Secure with cable (#17) and cable clamp (#18) (as shown in Diagram G).

Diagram G



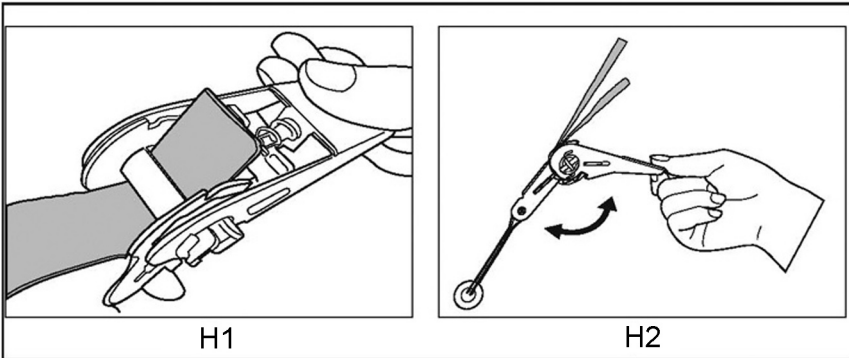
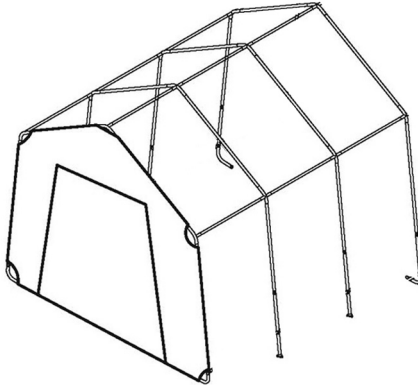
## STEP 5: INSTALLING THE FRONT AND BACK COVERS

The front cover has a zippered door to allow entry to the garage. Be sure to locate this cover at the desired end and ensure the zipper is in the closed position while installing.

The back cover is a solid piece of polyethylene.

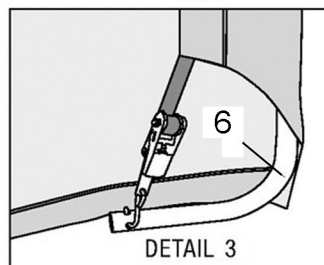
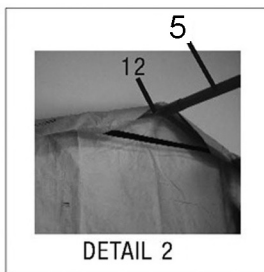
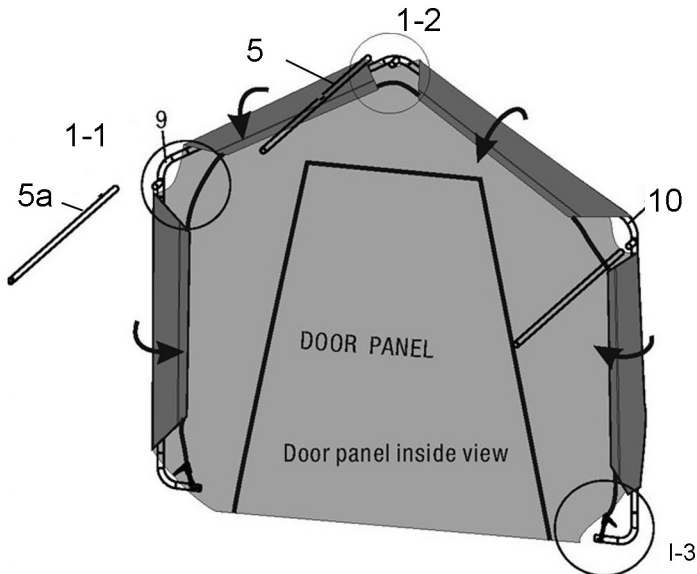
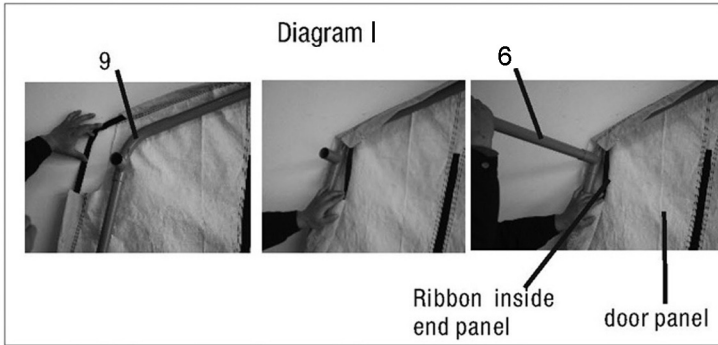
The covers are installed in the same fashion.

Diagram H



1. Thread the strap through the spindle of the ratchet to make sure the strap will stay in the sleeve when assembled, Raise and lower the handle two or three times to wind the strap onto the spindle (as shown in Diagram H).
2. Begin with the front cover and first locate the webbed belt that runs around the perimeter at the cover.
  - The webbing is exposed at the peak, the shoulders and the feet of the cover.

3. Using a rubber mallet, disconnect the apex tube (#4A) from the connector (#12) located between the leg and the roof tubes.



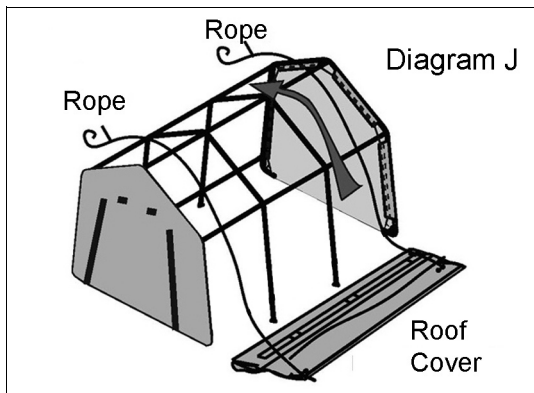
4. Slip the webbing strap between tube #5 and the connector (as shown in Diagram I). Rejoin the tubes.
5. Repeat this step for the opposite shoulder.
6. Move to the apex of the garage using a step ladder and using a rubber mallet, disconnect the apex tube (#4a) from the connector (#12). Slip the webbing strap between the tubes (see Diagram I detail 2) and reconnect.
7. While one person remains on the steps and standing at the peak of the garage, the other person inserts the hook of the ratchet straps into both sides of corner legs at (detail I-3).

The person standing at the apex assists by ensuring the cover is partially folded over the tubes of the end frame and inside or toward the interior of the garage.

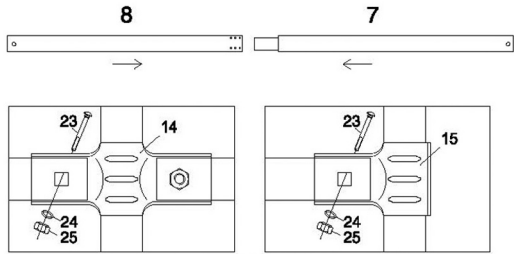
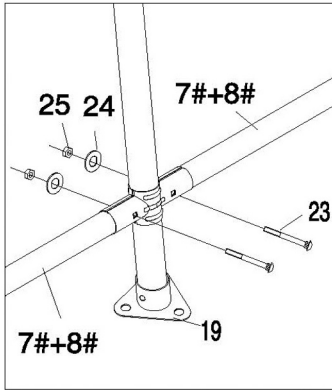
The other person makes sure the door panel is flat and then tightens the ratchet straps. (Diagram I detail 3).

## STEP 6: INSTALLING THE MAIN COVER

1. Lay the cover on the ground next to the frame with inside of the cover (the side with pipe pockets) facing upward and the webbing on the front and rear of the corner of the building.
2. Tie one end of a rope to the eyelets on one corner of the cover, then another rope to the other corner eyelets.



- Pull the cover over the frame with the help of the rope as in Diagram J, making sure to center the cover on the frame. There should be an equal amount overhanging at all four corners.



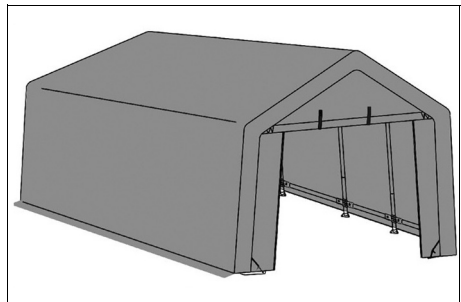
- Assemble the ratchet straps (Part #29) to the web ends on the four corners of the cover, one for each corner. Ratchet a few times to tighten the strap.
- Insert the "S"-hook on ratchet strap into the hole on the Bent Corner Leg. Wind the ratchet so that the webbing overlaps itself. Slide through the fabric pockets at each leg and reattach with clamps to each leg. Repeat this on the other side. Push down on the cover rails to tighten the cover before tightening the bolts completely.
- When the cover rails are all secured, proceed to the four corners and tighten the end covers to the end frames with the ratchet action.

NOTE: Over-tightening can cause damage to straps and/or the anchor point.

DO NOT over-tighten)

The garage is now ready for use.

Note: Check periodically (two to three times in the first week and tighten ratchet tie-downs and all hardware as needed. Monthly inspection is recommended throughout usage.



## DISASSEMBLY

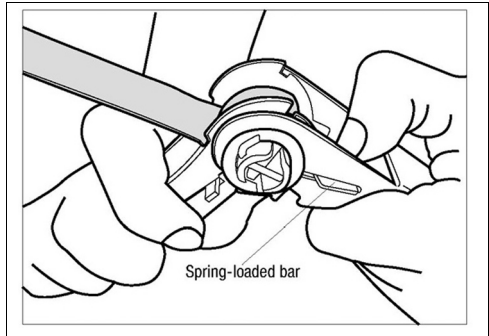
When disassembling the garage depress the spring-loaded bar to disengage the ratchet and open the ratchet handle completely to allow the webbing strap to pull through.

PLEASE RE-READ ALL WARNINGS CONTAINED ON PAGE 2/3 OF THESE INSTRUCTIONS. SAVE THESE INSTRUCTIONS FOR FUTURE USE.

To dismantle, execute all instructions in reverse order.

Store your garage in a cool, dry location between seasons to prolong the usable life of all components.

Components are not equally durable and will require replacement over time at differing intervals.



## ADDITIONAL ANCHORING

Please note that when the instant garage or shed is to be sited on soft ground an additional, or alternative method of anchoring may be required.

This can take the form of an additional Auger Securing Set GA1 (already supplied with Clarke instant garages), which can add greater security for exposed, windy locations.

Alternatively the Easy Hook Anchoring System GHA2, can be used to provide greater security on soft ground.



Available from your Clarke dealer.

# A SELECTION FROM THE VAST RANGE OF

# Clarke®

## QUALITY PRODUCTS

### AIR COMPRESSORS

From DIY to industrial, Plus air tools, spray guns and accessories.

### GENERATORS

Prime duty or emergency standby for business, home and leisure.

### POWER WASHERS

Hot and cold, electric and engine driven - we have what you need

### WELDERS

Mig, Arc, Tig and Spot. From DIY to auto/industrial.

### METALWORKING

Drills, grinders and saws for DIY and professional use.

### WOODWORKING

Saws, sanders, lathes, mortisers and dust extraction.

### HYDRAULICS

Cranes, body repair kits, transmission jacks for all types of workshop use.

### WATER PUMPS

Submersible, electric and engine driven for DIY, agriculture and industry.

### POWERTOOLS

Angle grinders, cordless drill sets, saws and sanders.

### STARTERS/CHARGERS

All sizes for car and commercial use.



**PARTS & SERVICE: 0208 988 7400**

**E-mail: [Parts@clarkeinternational.com](mailto:Parts@clarkeinternational.com) or [Service@clarkeinternational.com](mailto:Service@clarkeinternational.com)**

**SALES: UK 01992 565333 or Export 00 44 (0)1992 565335**

**Clarke® INTERNATIONAL** Hemnall Street, Epping, Essex CM16 4LG  
[www.clarkeinternational.com](http://www.clarkeinternational.com)